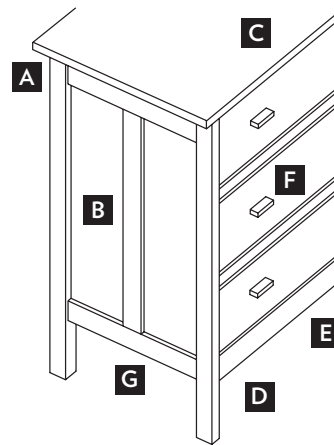


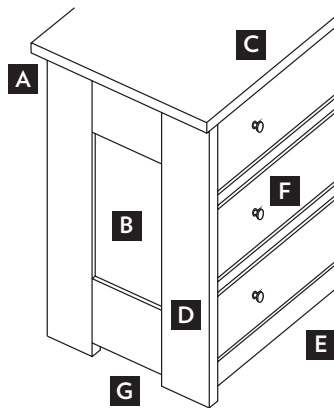
HEARTWOOD & BURLINGTON

- A1. **Heartwood:** Underside quarter-round edge.
- A2. **Burlington:** square edge
- B. 2-panel sides
- C. 3/4" thick top
- D1. **Heartwood:** 1.5" x 2.25" leg with rounded edge
- D2. **Burlington:** 1.5" x 2.25" leg with square edge
- E. Arched skirt
- F. Round knobs
- G. 4.5" clearance under rail



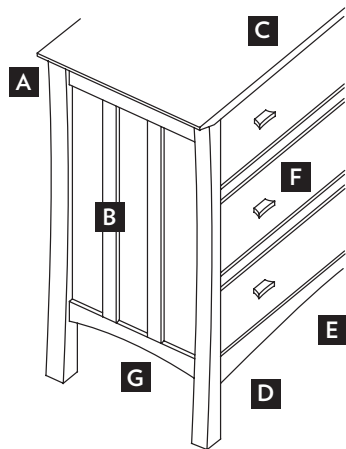
CRAFTSMAN

- A. Square edge
- B. 2-panel sides
- C. 3/4" thick top
- D. 1.25" x 2.25" taller leg with square edge
- E. Straight skirt
- F. Rectangular pulls
- G. 8" clearance under rail



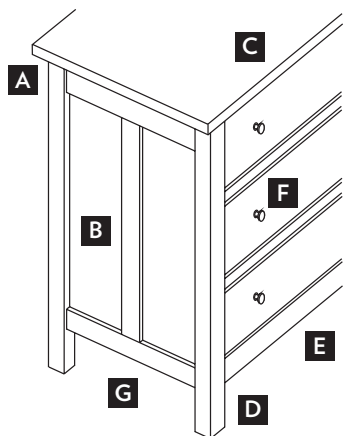
PRAIRIE

- A. Square edge
- B. Panel sides
- C. 1" thick top
- D. 1.25" x 5.55" leg with square edge
- E. Straight skirt
- F. Round knobs
- G. 2" clearance under rail



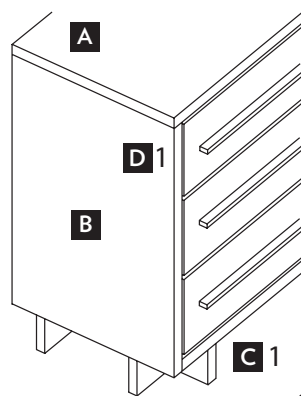
HORIZON

- A. Bevel edge
- B. 3-panel sides
- C. 3/4" thick top
- D. 1.25" x 2.25" taller leg with arched side
- E. Arched skirt
- F. Trapeziod pulls
- G. 6" clearance under rail



MISSION

- A. Square edge
- B. 2-panel sides
- C. 1" thick top
- D. 2.25" x 2.25" leg with square edge
- E. Straight skirt
- F. Round knobs
- G. 4.5" clearance under rail



SKYLINE, LOFT & CABLE CROSSING

- A. 1" thick top
- B. 1" thick solid sides
- C1. **Skyline Base:** 4"
- C2. **Loft & Cable Cr. Base:** 6"
- D1. **Skyline Bar pulls** (longer)
- D2. **Loft Bar pulls** (shorter)
- D3. **Cable Cr. Bar pulls** (stainless steel)
- E. Metal inlays

